

# SENTINEL™ A50

## Revolutionary high performance automatic welding helmet



Years of welding have trained you to know exactly what you need in a hood: crucial comfort, large lens, and next generation technology. Every special operation needs special equipment that gets the job done, and when it comes to your helmet, SENTINEL™ is worn by the best.

- Revolutionary Shell Design. High Impact Resistance Nylon
- Halo™ Headgear. Ergonomic, infinitely-adjustable 5 point head gear provides extreme comfort and balance. Low-profile design, central pivot point allows for maximum head clearance while helmet is in the up position
- 100 x 60mm viewing area. 1/1/1/2 – 5-13 ADF
- Color touch screen control panel with 8 separate memory settings and externally activated shade 4 Grind Button
- Hard hat adapter option available for use with ESAB hard hat

Visit [esab.com](http://esab.com) for more information.

### Welding Process

- Oxy Fuel Cutting
- Plasma Cutting
- Grinding
- Welding, GMAW (MIG/MAG)
- Welding, GTAW (TIG)
- Welding, PAW - Plasma Arc Welding
- Welding, SMAW/MMA (Stick)



*Halo comfort 5 point harness  
(Front view)*



*High optical class ADF, with colour touch screen interface*

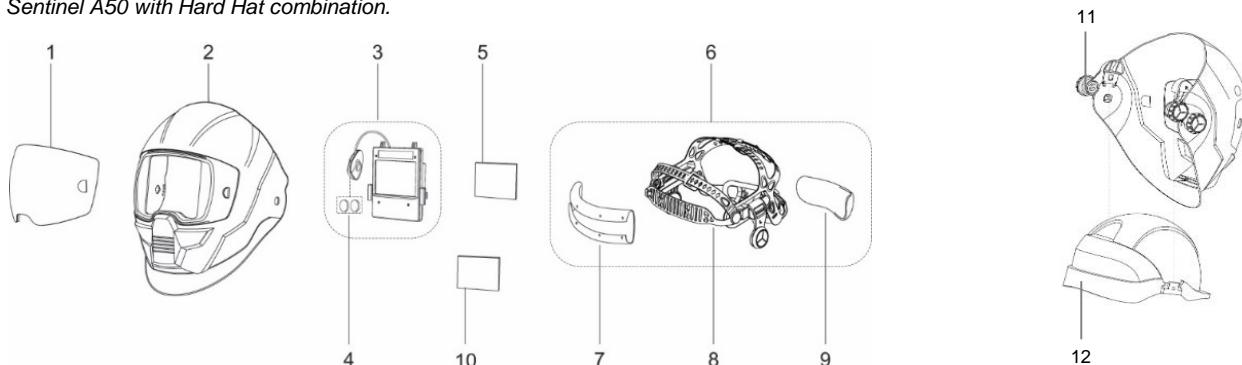
# SENTINEL™ A50

Specifications	
Cartridge Dimensions	133 x 114 x 9 mm
Viewing Area	100 x 60 mm (3.93 x 2.36 in.)
Lens Shade	DIN 5-8/9-13
Power Supply	Solar cell plus battery replaceable. (2*CR2450 lithium). Alerts when low battery.
Sensors	4
Switch Time	1/25,000 s. from Light to Dark
Classification	1/1/1/2
Standards	DIN plus, CE, EN175, EN 379, EN166, ANSI Z87.1, CSA Z94.3, AS/NZS 1338.1
Weight	640 g (1.4 lbs.)

Ordering Information	
Sentinel A50	0700000800

Wear and Spare Parts		
1	Front Cover Lens Clear HD	0700000823
1	Front Cover Lens Amber HD	0700000824
1	Front Cover Lens Clear	0700000802
1	Front Cover Lens Amber	0700000803
2	Sentinel Helmet Shell	0700000804
3	Auto-Darkening Filter (excl. batteries)	0700000806
4	2 x CR2450 lithium battery	0700000807
5	Inside Cover Lens	0700000808
6	Headgear Assembly (Including Sweat Bands)	0700000809
7	Front Sweat Band	0700000810
8	Headgear	0700000811
9	Rear Sweat Band	0700000812
10	Magnifying Glass +1.0 Diopter	0367951001
10	Magnifying Glass +1.5 Diopter	0367951002
10	Magnifying Glass +2.0 Diopter	0367951003
10	Magnifying Glass +2.5 Diopter	0367951004
11	Sentinel Hard Hat Adapter*	0700000619
12	Concept Hard Hat Yellow	0700000052
12	Concept Hard Hat White	0700000135
	Sentinel Bandana	0700000821

\* For use with Concept Hard Hat. For details on assembly please see separate user guide. Hard Hat Adapter replaces Headgear 0700000809 for the Sentinel A50 with Hard Hat combination.

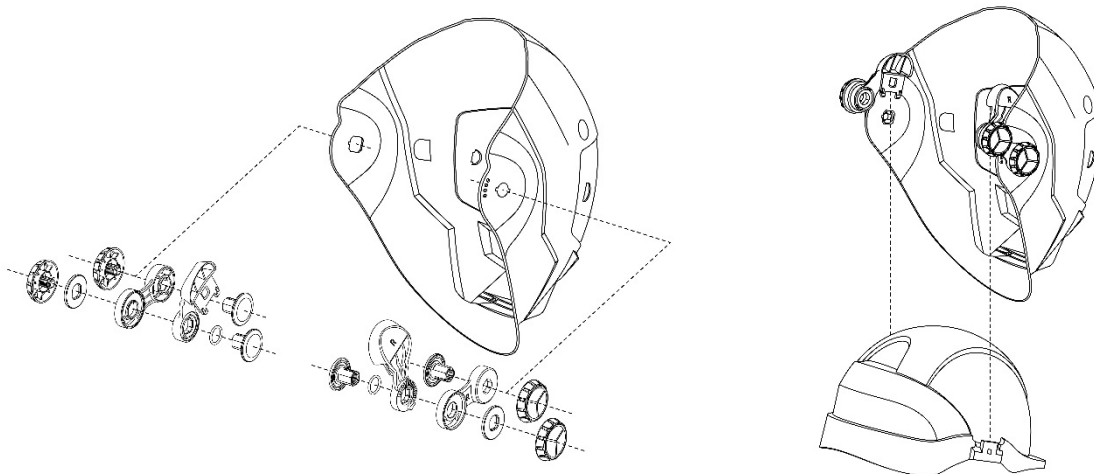


# SENTINEL™ A50

## Hard Hat Adapter



The Sentinel hard hat adapter is designed for use with the ESAB hard hat (0700000052). Easy to assemble - simply remove the headgear from the Sentinel A50 helmet, assemble the hard had adapter, insert the hard adapter into the hard hat slot.



## Additional Accessories



HD Front Cover Lens



Magnifying Diopter Lens



ESAB / [esab.com](http://esab.com)

